

Focus Fusion Eco Safe * Green * Clean * Virtually Unlimited * Cheap



Lawrenceville Plasma Physics, Inc
High technology research, development and consulting in plasma physics, X-ray sources, and Focus Fusion

LPPFusion Report April 12, 2018

Summary:

- **Wefunder Equity Crowdfunding Ends April 30**
- **LPPFusion Granted EU Patent**
- **Upgraded Vacuum Chamber Ordered**
- **“Let There Be Light” Video, featuring LPPFusion, Now Streaming Free**

Wefunder Equity Crowdfunding Ends April 30

After a small adjustment in the ending date, LPPFusion’s [Wefunder](#) equity crowdfunding will definitely conclude April 30. This date has been communicated to the SEC, so is now a firm date.

As of today, the campaign stands at \$679,500, just two-thirds of the maximum goal of \$1 million, with 320 investors. From past experience, Wefunder officials expect as much as 20% of total funds to be invested in the final two weeks of the campaign. LPPFusion has launched an advertising campaign to tell more people about the campaign. The team urges investors and supporters to get friends and colleagues to watch the Wefunder page video.

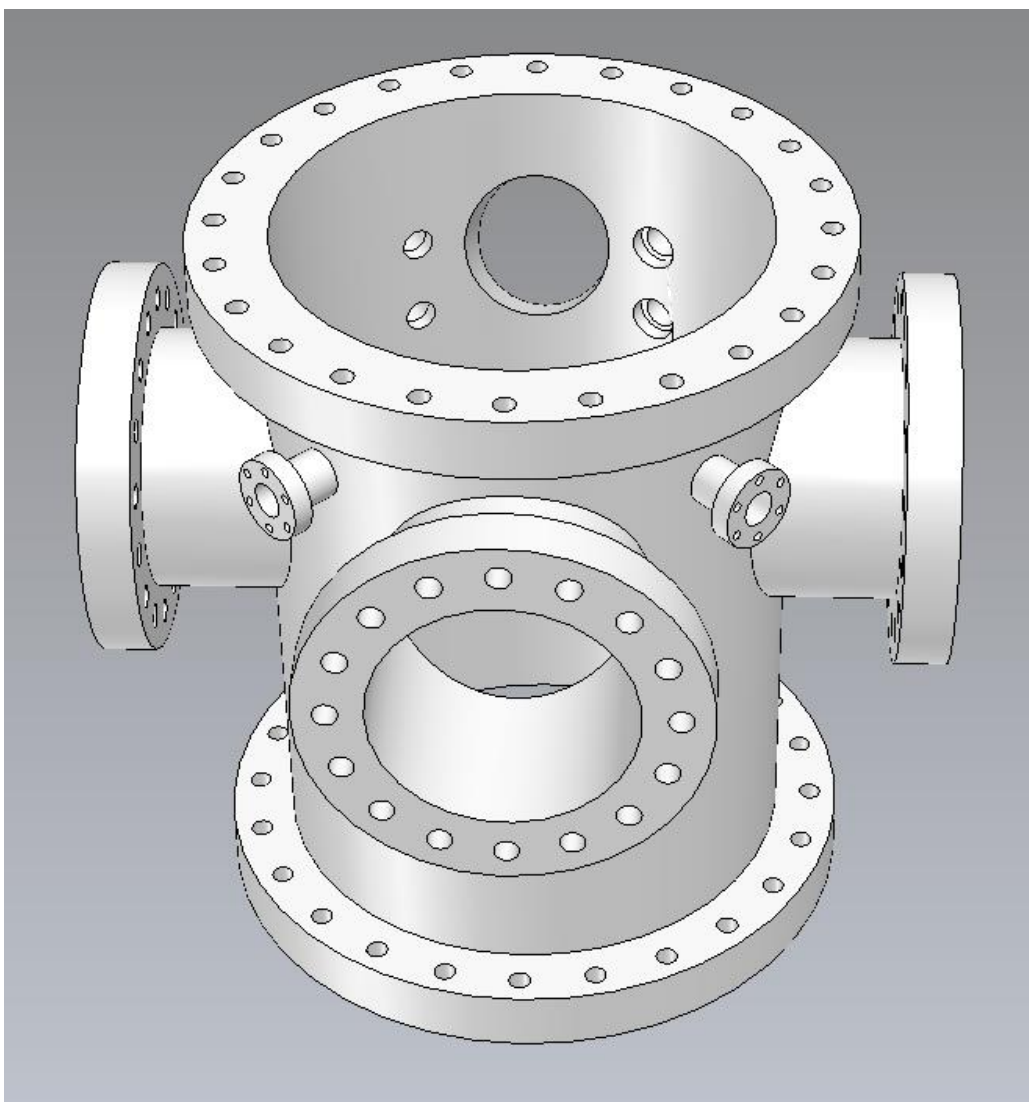
LPPFusion Granted European Union Patent

On April 3, LPPFusion was notified that the [European Patent Office](#) had granted its patent application. The new patent, similar to those already granted in the [United States](#), [China](#), [Canada](#) and [Australia](#), will cover Belgium, Germany, Spain, France, Great Britain and Italy. The patent will run through 2026. Only one application, for India still remains outstanding. We expect more patent applications will emerge from our ongoing research.

Upgraded Vacuum Chamber Designed and Ordered

As part of LPPFusion’s preparations for our upcoming experiments with beryllium electrodes and pB11 fuel, we are upgrading our experimental equipment. Research Physicist Syed Hassan has completed a re-design of our

vacuum chamber. The key change is to enlarge and reposition the viewing windows. The chamber will now have three six-inch windows, instead of just one, and they will be positioned so as to give a full view of the electrodes and the insulator that separates them. This will not only allow our instruments better access, it will also ensure that we will be able to experiment for a longer time without breaking vacuum and changing the windows. During a shot, two of the three windows will be protected by shutters, while the instruments observe the shot through the third. This will prevent the two protected ones from any coating that, over time, might build up to the point that observations are interfered with. This is especially important during the experiments with hydrogen boron fuel, as some of the boron may coat the optics. The new chamber, shown below is now being manufactured. It will then be coated with titanium nitride and should be ready for installation by early June.



“Let There Be Light” Video, featuring LPPFusion, Now Streaming Free on Amazon Prime

The Canadian documentary “Let There Be Light”, released in March 2017, featured LPPFusion as one of three fusion projects described. It gives a great background on the state of fusion today and is visually stunning. Previously available through Amazon for payment, it is now [free](#) to watch for Amazon Prime users. If you have not seen it, we highly recommend it.